

# INNOVEC

## CONTROLS PTY LTD

### INNOVEC IDA DUAL SETPOINT ALARM



The **IDA2 Dual Alarm** is an auxiliary powered instrument which accepts an analogue input of either mA or volts and generates 2 alarm set points with changeover contacts that can switch 240VAC at 5 amps resistive. There is a non- isolated retransmission of the input signal and a loop supply for the direct connection of 2 wire transmitters. The trip points, dead band and analogue output are adjustable from the front panel. Each output relay has LED status indication on the front panel and can be set to operate as failsafe high (relay de-energises when input exceeds set point) or failsafe low (relay de-energises when set point exceeds input).

#### Features:

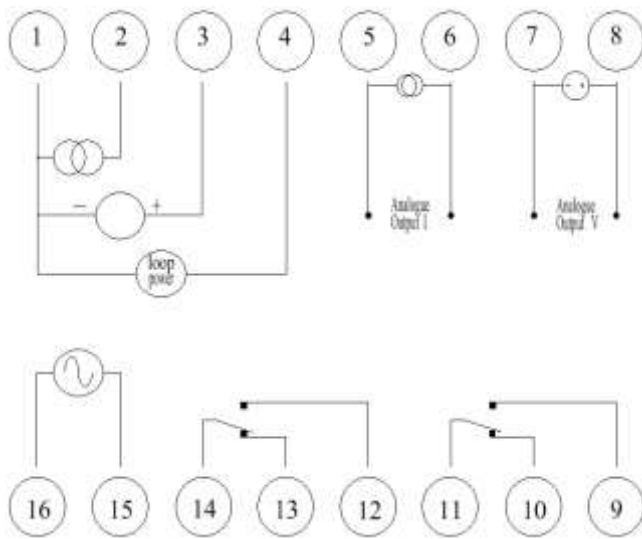
- 24VDC @ 30mA loop supply
- Power supplies of 120/240VAC, 24VAC or 9 to 40VDC are available.
- Output relays have form C contacts switching 240Vac @ 5A into resistive loads
- Relay configuration and LED status indication set by dip switch
- Setpoint adjustable 0-100% of span
- Dead-band adjustable 0-99% of span
- 0.1% linearity
- 50 $\Omega$  input impedance on current signals
- 5Meg  $\Omega$  input impedance on voltage signals
- 4 to 20mA or 0 to 10V analogue retransmission output available as standard
- Ranges of inputs and outputs are available on request from 0-50mA to 0-200VDC
- Din rail or gear plate mounting
- Weight 300gms
- Size; W: 55mm, H: 75mm, D: 110mm
- Operating temperature range, -20°C to +85°C
- Low cost, high performance solution.

## Options

- WP: weatherproof enclosure.
- 1SP: single alarm.

## Ordering Information

- Model number configured as:
- Model/input/output/retransmission/ power supply/options  
example: IDA2/4-20mA/S1S3/240VAC/WP



### Connection Details

- Terminal 1 input common (-)
- Terminal 2 input high mA (+)
- Terminal 3 input high volts (+)
- Terminal 4 +24 VDC loop supply
- Terminal 5 analogue output current (-)
- Terminal 6 analogue output current(+)
- Terminal 7 analogue output voltage(0v)
- Terminal 8 analogue output voltage(+)
- Terminal 9 RL1 normally open
- Terminal 10 RL1 normally closed
- Terminal 11 RL1 common
- Terminal 12 RL2 normally open
- Terminal 13 RL2 normally closed
- Terminal 14 RL2 common
- Terminal 15 VAC Active /24VDC Active
- Terminal 16 VAC Neutral / 0VDC common

Enquiries to:

**INNOVEC CONTROLS PTY. LTD.**  
Suite 5, 56-62 Chandos Street  
St Leonards, NSW, 2065  
Phone (02) 9906 7158  
[www.innovec.com](http://www.innovec.com)



An Australian Owned Quality Assured Company